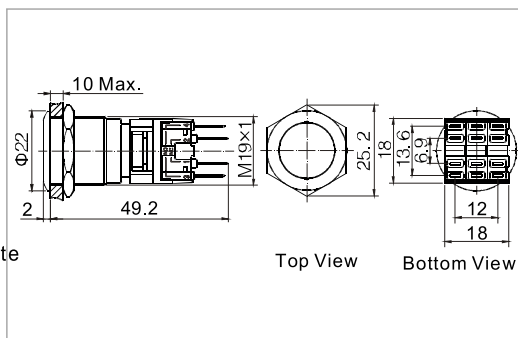


## METAL PUSH BUTTON



LAS1-BGQ-

- ⊙  $\Phi$  19mm diameter
- ⊙ Combined Structure
- ⊙ Switch Rating: 5A/250VAC
- ⊙ Contact Configuration: 1NO1NC / 2NO2NC / 3NO3NC
- ⊙ Operation Type: Momentary / Alternate
- ⊙ The crust material: Stainless Steel
- ⊙ IP Degree: IP67

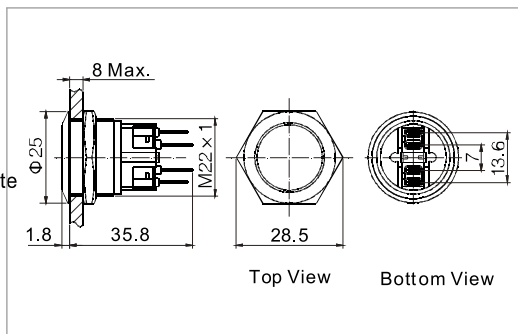


## ANTI-VANDAL PUSH BUTTON



GQ22-11

- ⊙  $\Phi$  22mm diameter
- ⊙ Switch Rating: 5A/250VAC
- ⊙ Contact Configuration: 1NO1NC
- ⊙ Operation Type: Momentary / Alternate
- ⊙ The crust material: Stainless Steel
- ⊙ IP Degree: IP65

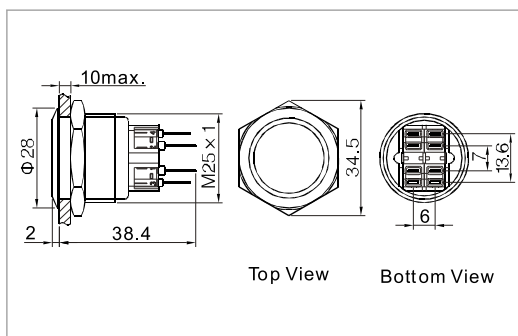


## ANTI-VANDAL PUSH BUTTON



GQ25

- ⊙  $\Phi$  25mm diameter
- ⊙ Switch Rating: 5A/250VAC
- ⊙ Contact Configuration: 1NO1NC / 2NO2NC
- ⊙ Operation Type: Momentary
- ⊙ The crust material: Stainless Steel
- ⊙ IP Degree: IP65



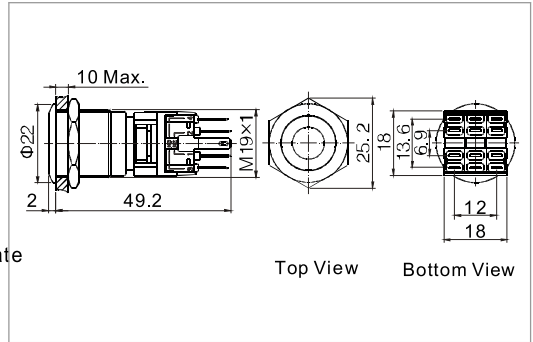
Specification	LAS1-BGQ-	GQ22-11	GQ25-	
The Front Shape	Flat Round	Flat Round	Flat Round	
Terminal Type	Pin Terminal(2.8× 0.5mm)	Pin Terminal(2.8× 0.5mm)	Pin Terminal(2.8× 0.5mm)	
Switching	No.2	No.2	No.2	
Max.Switch Rating	Ith:5A Ui:250VAC	Ith:5A Ui:250VAC	Ith:5A Ui:250VAC	
Contact Resistance	≤ 50mΩ	≤ 50mΩ	≤ 50mΩ	
Insulation Resistance	≥ 1000MΩ	≥ 1000MΩ	≥ 1000MΩ	
Dielectric Strength	2000VAC	2000VAC	2000VAC	
Operating Temp	-20 °C ~ +55 °C	-20 °C ~ +55 °C	-20 °C ~ +55 °C	
Mechanical life	1,000,000 cycles	1,000,000 cycles	1,000,000 cycles	
Electrical life	50,000 cycles	50,000 cycles	50,000 cycles	
Panel Thickness	1 ~ 6mm	1 ~ 6mm	1 ~ 6mm	
Torque	5 ~ 14Nm	5 ~ 14Nm	5 ~ 14Nm	
Operation Pressure	5.5~8N	About 5.5N	5.5~7N	
Operation Distance	About 3.1mm	About 2.5mm	About 2.8mm	
IP Degree	IP67	IP65	IP65	
Material	Contact	Silver Alloy	Silver Alloy	
	Button	Stainless Steel	Stainless Steel	
	Body	Stainless Steel	Stainless Steel	
	Base	PA	PA	
	RoHS	Made to order	Made to order	Made to order

## METAL DOT ILLUMINATED PUSH BUTTON



LAS1-BGQ-

- ⊙ Φ19mm diameter
- ⊙ Combined Structure
- ⊙ Switch Rating:5A/250VAC
- ⊙ Contact Configuration: 1NO1NC / 2NO2NC / 3NO3NC
- ⊙ Operation Type: Momentary / Alternate
- ⊙ The crust material: Stainless Steel
- ⊙ IP Degree:IP67

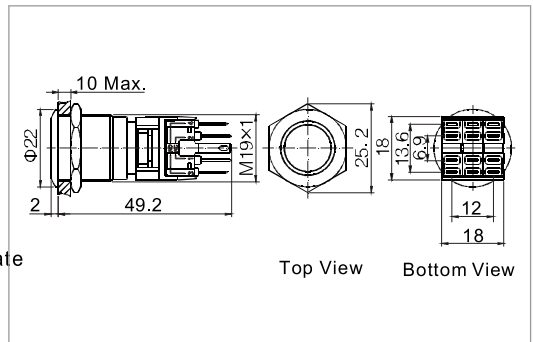


## METAL RING ILLUMINATED PUSH BUTTON



LAS1-BGQ-

- ⊙ Φ19mm diameter
- ⊙ Combined Structure
- ⊙ Switch Rating:5A/250VAC
- ⊙ Contact Configuration: 1NO1NC / 2NO2NC / 3NO3NC
- ⊙ Operation Type: Momentary / Alternate
- ⊙ The crust material: Stainless Steel
- ⊙ IP Degree:IP67



Specification		LAS1-BGQ-	LAS1-BGQ-
The Front Shape		Flat Round	Flat Round
Terminal Type		Pin Terminal(2.8× 0.5mm)	Pin Terminal(2.8× 0.5mm)
Switching		No.2	No.2
Max.Switch Rating		Ith:5A Ui:250VAC	Ith:5A Ui:250VAC
Contact Resistance		≤ 50mΩ	≤ 50mΩ
Insulation Resistance		≥ 1000MΩ	≥ 1000MΩ
Dielectric Strength		2000VAC	2000VAC
Operating Temp		-20 ℃ ~ +55 ℃	-20 ℃ ~ +55 ℃
Mechanical life		1,000,000 cycles	1,000,000 cycles
Electrical life		50,000 cycles	50,000 cycles
Panel Thickness		1 ~ 10mm	1 ~ 10mm
Torque		5 ~ 14Nm	5 ~ 14Nm
Operation Pressure		5.5~8N	5.5~8N
Operation Distance		About 3.1mm	About 3.1mm
IP Degree		IP67	IP67
Material	Contact	Silver Alloy	Silver Alloy
	Button	Stainless Steel	Stainless Steel
	Body	Stainless Steel	Stainless Steel
	Base	PA	PA
	RoHS	Made to order	Made to order
LED Spec.	Type	Dot Illuminated(LED)	Ring Illuminated(LED)
	Rated Voltage	6V / 12V / 24V / 110V / 220V	6V / 12V / 24V / 110V / 220V
	Color	<span style="color:red">R</span> <span style="color:green">G</span> <span style="color:yellow">Y</span> <span style="color:orange">O</span> <span style="color:blue">B</span> <span style="border:1px solid black; padding:0 2px;">W</span>	<span style="color:red">R</span> <span style="color:green">G</span> <span style="color:yellow">Y</span> <span style="color:orange">O</span> <span style="color:blue">B</span> <span style="border:1px solid black; padding:0 2px;">W</span>
	Life	40000 hours	40000 hours