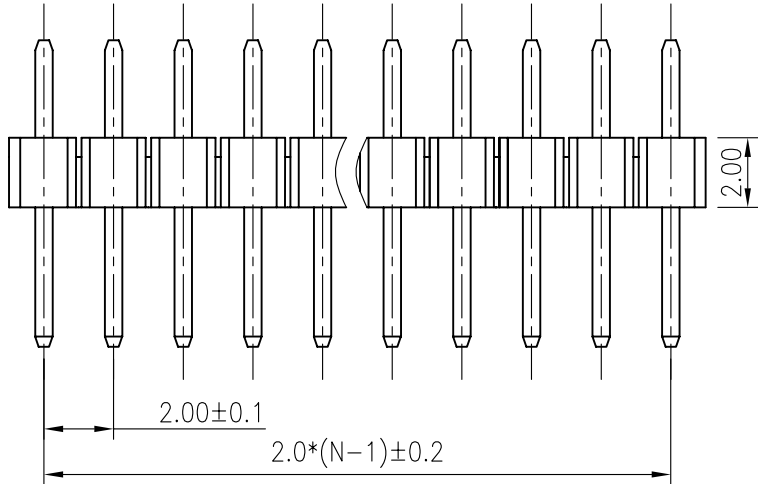
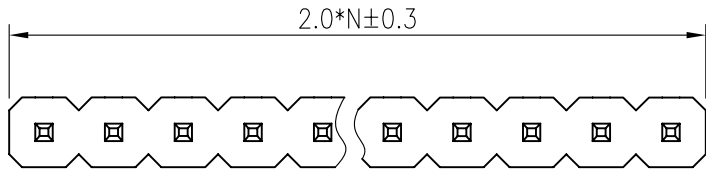
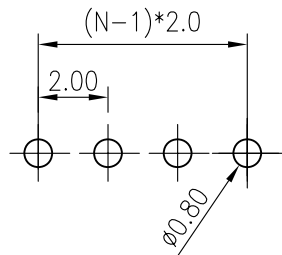


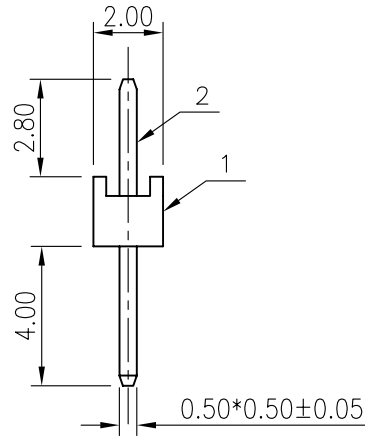
REV.	DESCRIPTION	DRAWN	CHECKED	APPROVED
A	NEW RELEASE	LJH 04/27/05'		



N:NUMBER OF CONTACTS

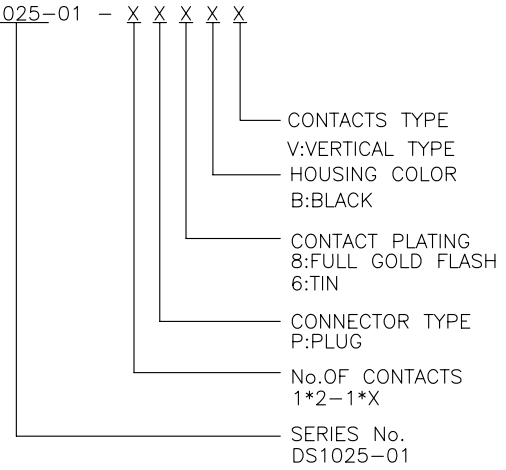


RECOMMEND PCB LAYOUT(TOLERANCE=±0.05)



NOTES:

- MATERIAL&FINISHES
  - INSULATOR:THERMOPLASTIC(UL 94V-0).
  - CONTACT MATERIAL: COPPER ALLOY.
- SPECIFICATION
  - CURRENT RATING:1.5 Amp.
  - INSULATION RESISTANCE:1000MΩ Min.
  - DIELECTRIC WITHSTANDING:600VAC.
  - CONTACT RESISTANCE:20mΩ Max.
  - OPERATING TEMPERATURE:-20°C TO +80°C.
- PART NUMBER: DS1025-01
- PRODUCT NUMBER CODE:  
DS1025-01 - X X X X X



GENERAL TOLERANCE		ANGLE TOLERANCE	
X.	±0.60	X.	±5'
.X	±0.38	.X	±3'
.XX	±0.25	.XX	±2'

PROJECTION	TITLE
UNITS	SINGLE ROW STRAIGHT
SHEET SIZE	SERIES DS1025-01 SERIES
PLS2 1x40 ( 2.00 ) 1025-01	

2	CONTACT		COPPER ALLOY	GOLD PLATED	DRAWING TYPE	CUSTOMER		
1	HOUSING		THERMOPLASTIC	UL 94 V-0	SCALE	1:1	SHEET	1 OF 1
ITEM	PART NAME	PART NO.	MATERILAS	FINISHED	DRAWING NO.	C-DS1025-01-XXXXX		